

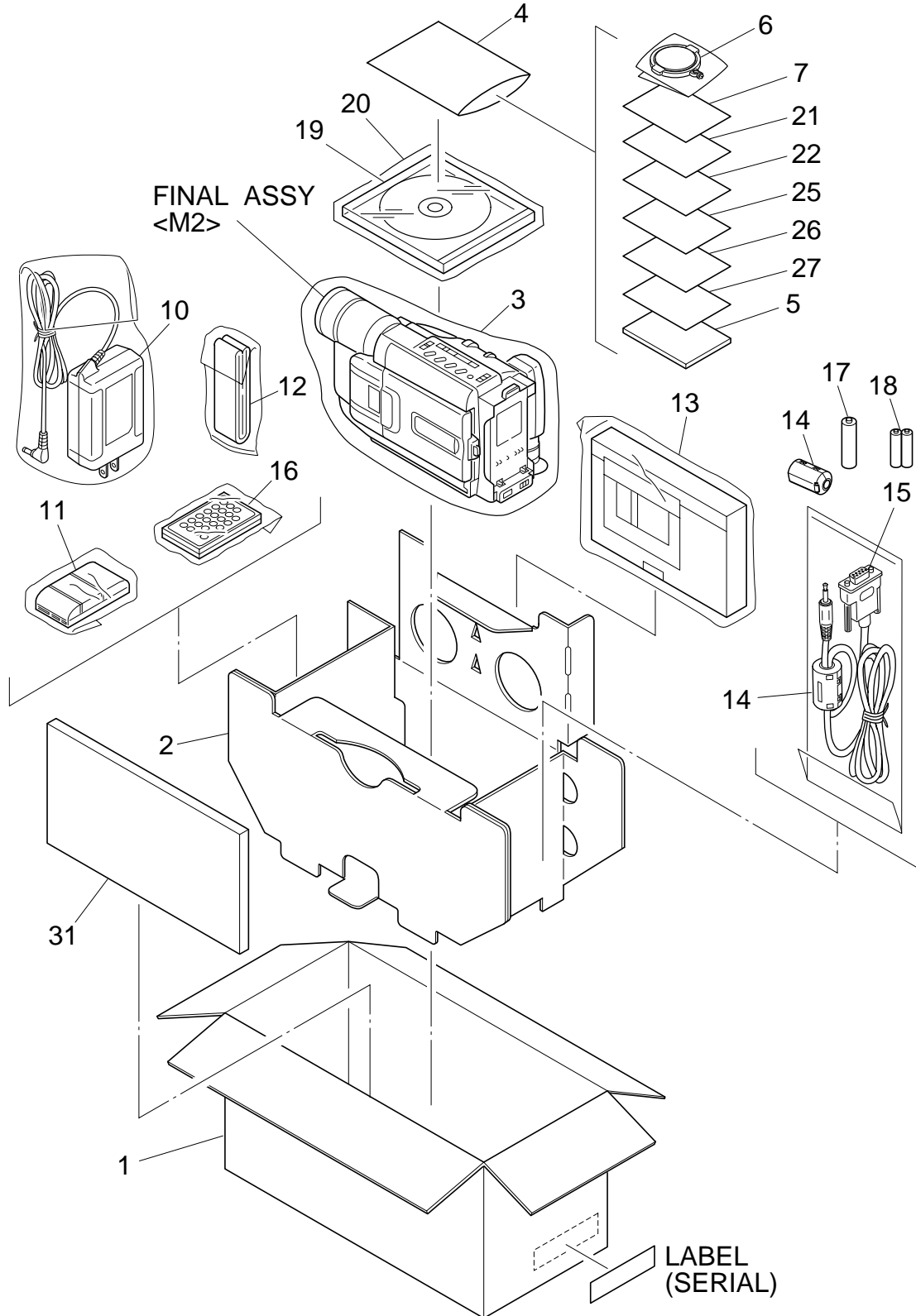
SECTION 5 PARTS LIST

SAFETY PRECAUTION

Parts identified by the  symbol are critical for safety. Replace only with specified part numbers.

5.1 PACKING AND ACCESSORY ASSEMBLY <M1>

The instruction manual to be provided with this product will differ according to the destination.



△ REF No. PART No. PART NAME, DESCRIPTION

PACKING AND ACCESSORY ASSEMBLY <M1>

1	LY32179-002A	PACKING CASE,A,B
	LY32179-004A	PACKING CASE,C,D,E
	LY32179-005A	PACKING CASE,F
2	LY32065-001A	CUSHION
3	LY30023-002A	POLY BAG
4	QPA02003506	POLY BAG
△ 5	LYT0690-001B	IB(EN),A
△	LYT0692-001A	IB(EN),E
△	LYT0692-001B	IB(EN),D
△	LYT0705-001A	IB(EN),C
△	LYT0752-001A	IB(EN),B
△	LYT0752-002A	IB(FR),B
△	LYT0753-001A	IB(EN),F
△	LYT0753-002A	IB(FR),F
△	LYT0762-001A	IB(FR),E
6	LY41538-002B	LENS CAP
7	BT-51020-2	REGIST.CARD,A,C,D
	BT-52004-1	WARRANTY CARD,B,E,F
△ 10	LY20739-001A	AC ADAPTER,AP-V10U
△ 11	YQ10629A	BATTERY PACK,BN-V11U,B,C,D,E,F
△	LY31199-001A	BATTERY PACK, BN-V20BU,A
12	LY20186-001A	SHOULDER STRAP
13	YQ31963A-3	CASSETTE ADAPTER
	or YQ31963B-3	CASSETTE ADAPTER
14	QQR0491-002	CORE FILTER,X2,F
15	QAM0084-001	PC CONNECTION CABLE,F
16	LY42129-001A	REMOTE CONTROL UNIT,RM-V715U,C,E,F
17	-	AA(R6)BATTERY,FOR CASSETTE ADAPTER
18	-	AAA(R03)BATTERY,X2 FOR RCU,C,E,F
19	LY31133-001B	CD ROM,F
20	LY30023-010A	POLY BAG,F
21	BT-20071B	SER.NET CARD,B,E,F
22	YU30843-4	SOFT WARE PERM.,F
△ 25	LYT0309-001B	IB(SOFT)(EN),F
26	LYT0309-004A	SHEET(INSTALL),F
27	LYT0378-003A	SHEET(AGREEMENT),F
31	LY43032-001A	SPACER(PACKING),D,E

• **INSTRUCTIONS**
 EN ENGLISH
 FR FRENCH

MODEL	MARK
GR-AXM231U	A
GR-AXM226UC	B
GR-SXM530U	C
GR-SXM535U	D
GR-SXM535UC	E
GR-SXM536UC	F

5.2 ELECTRICAL PARTS LIST

MODEL	MARK	MODEL	MARK
GR-AXM231U	A	GR-SXM535U	D
GR-AXM226UC	B	GR-SXM535UC	E
GR-SXM530U	C	GR-SXM536UC	F

△ REF No. PART No. PART NAME, DESCRIPTION

MAIN BOARD ASSEMBLY <01>

PW	YB10310UF-01	MAIN BOARD ASSY,D,E
	YB10310UI-01	MAIN BOARD ASSY,A
	YB10310UK-02	MAIN BOARD ASSY,C
	YB10310UL-01	MAIN BOARD ASSY,B
	YB10310UM-02	MAIN BOARD ASSY,F
IC101	UPD703039-028	IC(MICRO C ROM)
	or UPD70F3040-028	IC(MICRO C ROM)
IC102	TC7S86FU	IC(DIGITAL)
	or SN74AHC1G86K	IC
	or MC74VHC1G86DF	IC
IC104	AT25080N-10SC-X	IC
	or X25170S8I-2.5-X	IC
	or 25LC080-I/SN-X	IC
IC105	M62367GP	IC
IC106	IC-PST9327U-X	IC
IC107	RS5C314	IC
△ IC1601	BD6630KV	IC
IC1801	PIC-26043S	IR DETECT UNIT,A,C,D,E,F
IC2001	MC74AC04DT	IC
IC2401	NJM2073M-XE	IC
IC3001	JCY0130	IC
IC3002	74HC1G04GW	IC
IC3501	HA118224F	IC
IC4001	JCY0149	IC
IC4002	TMS4C2973-28-X	IC,D,E,F
IC4003	UPD6467GR-506-X	IC(MICRO C ROM)
IC4201	UPC358G2/5/-W	IC
IC4202	BA10324AF-XE	IC
IC4251	BA10358F-XE	IC
IC4501	UPD16835G3	IC
IC5201	HD49326BF	IC
IC5202	JCY0098	IC
IC6001	FA3698F	IC
IC7002	MN5814	IC
IC7006	BA4558F	IC
IC7007	TC7S04FU	IC(DIGITAL),A,B,C,F
	or MC74VHC1G04DF	IC,A,B,C,F
	or SN74AHC1G04K	IC,A,B,C,F
IC7008	SN74LV4052APW	IC
Q101	2SA1774/RS/-X	TRANSISTOR
Q102	DTC144EE	TRANSISTOR
Q103	2SC4617/QR/-X	TRANSISTOR
Q104	DTC144EE	TRANSISTOR
Q105	2SA1774/RS/-X	TRANSISTOR
Q110	DTC144EE	TRANSISTOR
Q111	DTC114EE	TRANSISTOR
Q112	DTC114EE	TRANSISTOR
Q113	2SC4097/QR/-X	TRANSISTOR
Q2001	DTA114TE	TRANSISTOR
Q2007	PUMX1	PAIR TRANSISTOR
	or UMX1N	PAIR TRANSISTOR
	or HN1C01FU/G/-X	PAIR TRANSISTOR
Q2008	PUMT1	PAIR TRANSISTOR
	or HN1A01FU/G/-X	PAIR TRANSISTOR
Q2021	DTC144EE	TRANSISTOR
Q2022	DTC144EE	TRANSISTOR
Q2023	2SC4617/QR/-X	TRANSISTOR

# △ REF No.	PART No.	PART NAME, DESCRIPTION
Q2071	2SC4617/QR/-X	TRANSISTOR
Q2401	DTC144EE	TRANSISTOR
Q2402	DTA144EE	TRANSISTOR
Q3002	PUMX1	PAIR TRANSISTOR
	or UMX1N	PAIR TRANSISTOR
	or HN1C01FU/G/-X	PAIR TRANSISTOR
Q3003	2SC4097/QR/-X	TRANSISTOR
Q3006	DTC144EE	TRANSISTOR,C,D,E,F
Q3501	HN1C01FU/G/-X	PAIR TRANSISTOR
Q3502	HN1C01FU/G/-X	PAIR TRANSISTOR
Q3505	DTC144EE	TRANSISTOR,C,D,E,F
Q3901	HN1A01FU/G/-X	PAIR TRANSISTOR
Q4201	2SC4617/QR/-X	TRANSISTOR
Q4251	RPM-22PB	PHOTO TRANSISTOR
Q4501	DTC114EE	TRANSISTOR
Q4701	PUMX1	PAIR TRANSISTOR
	or UMX1N	PAIR TRANSISTOR
	or HN1C01FU/G/-X	PAIR TRANSISTOR
Q4702	2SC4617/QR/-X	TRANSISTOR
Q4703	PUMX1	PAIR TRANSISTOR
	or UMX1N	PAIR TRANSISTOR
	or HN1C01FU/G/-X	PAIR TRANSISTOR
Q4704	PUMT1	PAIR TRANSISTOR
	or HN1A01FU/G/-X	PAIR TRANSISTOR
Q4705	2SC4617/QR/-X	TRANSISTOR,C,D,E,F
Q4706	2SC4617/QR/-X	TRANSISTOR,C,D,E,F
Q4707	2SC4617/QR/-X	TRANSISTOR,C,D,E,F
Q4711	PUMX1	PAIR TRANSISTOR,C,D,E,F
	or HN1C01FU/G/-X	PAIR TRANSISTOR,C,D,E,F
	or UMX1N	PAIR TRANSISTOR,C,D,E,F
Q4712	PUMT1	PAIR TRANSISTOR,C,D,E,F
	or HN1A01FU/G/-X	PAIR TRANSISTOR,C,D,E,F
Q4713	PUMX1	PAIR TRANSISTOR,C,D,E,F
	or UMX1N	PAIR TRANSISTOR,C,D,E,F
	or HN1C01FU/G/-X	PAIR TRANSISTOR,C,D,E,F
Q4714	PUMT1	PAIR TRANSISTOR,C,D,E,F
	or HN1A01FU/G/-X	PAIR TRANSISTOR,C,D,E,F
Q4715	PUMX1	PAIR TRANSISTOR,C,D,E,F
	or HN1C01FU/G/-X	PAIR TRANSISTOR,C,D,E,F
	or UMX1N	PAIR TRANSISTOR,C,D,E,F
Q6101	SSM6J07FU	MOS FET
Q6106	HN1C01FU/G/-X	PAIR TRANSISTOR
Q6107	SSM3J05FU	MOS FET
Q6201	SSM6J07FU	MOS FET
Q6301	CPH3304	MOS FET
Q6306	SSM3K02F	MOS FET,C,D,E,F
Q6307	2SC4617/QR/-X	TRANSISTOR
Q6308	CPH3101	TRANSISTOR
Q6401	SSM6J07FU	MOS FET
Q6501	SSM6J07FU	MOS FET
Q6601	CPH3304	MOS FET
Q6608	DTC144EE	TRANSISTOR
Q6621	HN1C01FU/G/-X	PAIR TRANSISTOR
Q6622	2SA1577/QR/-X	TRANSISTOR
Q6701	FX802	TRANSISTOR
Q6702	2SC4097/QR/-X	TRANSISTOR
Q6801	2SA1577/QR/-X	TRANSISTOR
Q6811	2SB1121/TU/-X	TRANSISTOR
Q7003	PUMX1	PAIR TRANSISTOR
Q7011	PUMX1	PAIR TRANSISTOR
Q7013	PUMX1	PAIR TRANSISTOR

#	△	REF No.	PART No.	PART NAME, DESCRIPTION	#	△	REF No.	PART No.	PART NAME, DESCRIPTION
		Q7015	PUMX1	PAIR TRANSISTOR			R141	NRSA63J-334X	MG RESISTOR 330kΩ,1/16W
		Q7017	2SC4617/QR/-X	TRANSISTOR			R142	NRSA63J-103X	MG RESISTOR 10kΩ,1/16W
		Q7018	2SA1774/QR/-X	TRANSISTOR			R143	NRSA63J-105X	MG RESISTOR 1MΩ,1/16W
		Q7019	2SC4617/QR/-X	TRANSISTOR			R144	NRSA63J-221X	MG RESISTOR 220Ω,1/16W
		Q7020	2SA1774/QR/-X	TRANSISTOR			R145	NRSA63J-222X	MG RESISTOR 2.2kΩ,1/16W
		Q7022	DTC144EE	TRANSISTOR,A,B,C,F			R146	NRSA63J-474X	MG RESISTOR 470kΩ,1/16W
△		D101	SB007W03Q	SB DIODE			R147	NRSA63J-472X	MG RESISTOR 4.7kΩ,1/16W
		D102	UDZS7.5B	ZENER DIODE			R148	NRSA63J-0R0X	MG RESISTOR 0Ω,1/16W
		D105	1SS355	DIODE			R149	NRSA63J-104X	MG RESISTOR 100kΩ,1/16W
		D106	1SS355	DIODE			R150	NRSA63J-222X	MG RESISTOR 2.2kΩ,1/16W
		D107	SB007W03Q	SB DIODE			R151	NRSA63J-222X	MG RESISTOR 2.2kΩ,1/16W
		D3001	DAN222	DIODE,C,D,E,F			R152	NRSA63J-474X	MG RESISTOR 470kΩ,1/16W
		D5201	1SS355	DIODE,D,E,F			R153	NRSA63J-474X	MG RESISTOR 470kΩ,1/16W
		D5202	1SS355	DIODE,A,B,C			R158	NRSA63J-474X	MG RESISTOR 470kΩ,1/16W
		D6001	CRS03	SB DIODE			R159	NRSA63J-474X	MG RESISTOR 470kΩ,1/16W
		D6101	CRS03	SB DIODE			R160	NRSA63J-474X	MG RESISTOR 470kΩ,1/16W
		D6106	1SS357	SB DIODE			R161	NRSA63J-104X	MG RESISTOR 100kΩ,1/16W
		D6201	CRS03	SB DIODE			R162	NRSA63J-472X	MG RESISTOR 4.7kΩ,1/16W
		D6301	CRS03	SB DIODE			R163	NRSA63J-221X	MG RESISTOR 220Ω,1/16W
		D6401	CRS03	SB DIODE			R164	NRSA63J-472X	MG RESISTOR 4.7kΩ,1/16W
		D6501	CRS03	SB DIODE			R166	NRSA63J-103X	MG RESISTOR 10kΩ,1/16W
		D6601	1SS383	SB DIODE			R167	NRSA63J-183X	MG RESISTOR 18kΩ,1/16W
		D6616	UDZS8.2B	ZENER DIODE			R168	NRSA63J-562X	MG RESISTOR 5.6kΩ,1/16W
		D7002	MA365	VARI CAP DIODE			R170	NRSA63J-333X	MG RESISTOR 33kΩ,1/16W
		D7004	RB471E	SB DIODE			R171	NRSA63J-104X	MG RESISTOR 100kΩ,1/16W
		R101	NRSA63J-104X	MG RESISTOR 100kΩ,1/16W			R172	NRSA63J-151X	MG RESISTOR 150Ω,1/16W
△		R104	NRSA63J-102X	MG RESISTOR 1kΩ,1/16W			R173	NRSA63J-0R0X	MG RESISTOR 0Ω,1/16W
		R105	NRSA63J-103X	MG RESISTOR 10kΩ,1/16W			R174	NRSA63J-0R0X	MG RESISTOR 0Ω,1/16W
		R106	NRSA63J-561X	MG RESISTOR 560Ω,1/16W			R175	NRSA63J-105X	MG RESISTOR 1MΩ,1/16W
		R107	NRVA63D-153X	CMF RESISTOR 15kΩ,1/16W			R176	NRSA63J-221X	MG RESISTOR 220Ω,1/16W
		R108	NRVA63D-243X	CMF RESISTOR 24kΩ,1/16W			R180	NRSA63J-331X	MG RESISTOR 330Ω,1/16W
		R109	NRVA63D-183X	CMF RESISTOR 18kΩ,1/16W			R182	NRSA63J-222X	MG RESISTOR 2.2kΩ,1/16W
		R110	NRSA63J-103X	MG RESISTOR 10kΩ,1/16W			R183	NRSA63J-222X	MG RESISTOR 2.2kΩ,1/16W
		R111	NRSA63J-273X	MG RESISTOR 27kΩ,1/16W			R184	NRSA63J-222X	MG RESISTOR 2.2kΩ,1/16W
		R112	NRSA63J-331X	MG RESISTOR 330Ω,1/16W			R188	NRSA63J-222X	MG RESISTOR 2.2kΩ,1/16W
		R113	NRSA63J-562X	MG RESISTOR 5.6kΩ,1/16W			R190	NRSA63J-331X	MG RESISTOR 330Ω,1/16W
		R114	NRSA63J-821X	MG RESISTOR 820Ω,1/16W			R191	NRSA63J-0R0X	MG RESISTOR 0Ω,1/16W
		R115	NRSA63J-101X	MG RESISTOR 100Ω,1/16W			R192	NRSA63J-105X	MG RESISTOR 1MΩ,1/16W
		R116	NRSA63J-102X	MG RESISTOR 1kΩ,1/16W			R194	NRSA63J-0R0X	MG RESISTOR,C,F 0Ω,1/16W
		R118	NRSA63J-103X	MG RESISTOR 10kΩ,1/16W			R195	NRSA63J-0R0X	MG RESISTOR 0Ω,1/16W
		R119	NRSA63J-103X	MG RESISTOR 10kΩ,1/16W			R1601	NRV142F-R33X	CMF RESISTOR 0.33Ω,1/4W
		R120	NRSA63J-273X	MG RESISTOR 27kΩ,1/16W			R1602	NRV142F-R33X	CMF RESISTOR 0.33Ω,1/4W
		R121	NRSA63J-273X	MG RESISTOR 27kΩ,1/16W			R1603	NRSA63J-154X	MG RESISTOR 150kΩ,1/16W
		R122	NRSA63J-393X	MG RESISTOR 39kΩ,1/16W			R1604	NRSA63J-102X	MG RESISTOR 1kΩ,1/16W
		R123	NRSA63J-104X	MG RESISTOR 100kΩ,1/16W			R1605	NRSA63J-102X	MG RESISTOR 1kΩ,1/16W
		R124	NRSA63J-104X	MG RESISTOR 100kΩ,1/16W			R1606	NRSA63J-102X	MG RESISTOR 1kΩ,1/16W
		R125	NRSA63J-273X	MG RESISTOR 27kΩ,1/16W			R1607	NRSA63J-104X	MG RESISTOR 100kΩ,1/16W
		R126	NRSA63J-153X	MG RESISTOR 15kΩ,1/16W			R1608	NRSA63J-104X	MG RESISTOR 100kΩ,1/16W
		R127	NRSA63J-221X	MG RESISTOR 220Ω,1/16W			R1609	NRSA63J-333X	MG RESISTOR 33kΩ,1/16W
		R128	NRSA63J-102X	MG RESISTOR 1kΩ,1/16W			R1610	NRSA63J-103X	MG RESISTOR 10kΩ,1/16W
		R129	NRSA63J-102X	MG RESISTOR 1kΩ,1/16W			R1612	NRSA63J-392X	MG RESISTOR 3.9kΩ,1/16W
		R130	NRSA63J-105X	MG RESISTOR 1MΩ,1/16W			R1613	NRSA63J-104X	MG RESISTOR 100kΩ,1/16W
		R131	NRSA63J-105X	MG RESISTOR 1MΩ,1/16W			R1614	NRSA63J-333X	MG RESISTOR 33kΩ,1/16W
		R132	NRSA63J-105X	MG RESISTOR 1MΩ,1/16W			R1615	NRSA63J-103X	MG RESISTOR 10kΩ,1/16W
		R133	NRSA63J-105X	MG RESISTOR 1MΩ,1/16W			R1617	NRSA63J-183X	MG RESISTOR 18kΩ,1/16W
		R134	NRSA63J-105X	MG RESISTOR 1MΩ,1/16W			R1618	NRSA63J-154X	MG RESISTOR 150kΩ,1/16W
		R135	NRSA63J-104X	MG RESISTOR 100kΩ,1/16W			R1619	NRSA63J-471X	MG RESISTOR 470Ω,1/16W
		R136	NRSA63J-474X	MG RESISTOR 470kΩ,1/16W			R1620	NRSA63J-684X	MG RESISTOR 680kΩ,1/16W
		R138	NRSA63J-333X	MG RESISTOR 33kΩ,1/16W			R1621	NRSA63J-102X	MG RESISTOR 1kΩ,1/16W
		R139	NRSA63J-104X	MG RESISTOR 100kΩ,1/16W			R1622	NRSA63J-224X	MG RESISTOR 220kΩ,1/16W
		R140	NRSA63J-753X	MG RESISTOR 75kΩ,1/16W			R1623	NRSA63J-223X	MG RESISTOR 22kΩ,1/16W

#	△ REF No.	PART No.	PART NAME, DESCRIPTION	#	△ REF No.	PART No.	PART NAME, DESCRIPTION	
R1624		NRSA63J-104X	MG RESISTOR	100kΩ,1/16W	R3506	NRSA63J-102X	MG RESISTOR	1kΩ,1/16W
R1625		NRSA63J-104X	MG RESISTOR	100kΩ,1/16W	R3507	NRSA63J-0R0X	MG RESISTOR	0Ω,1/16W
R1626		NRSA63J-104X	MG RESISTOR	100kΩ,1/16W	R3508	NRSA63J-153X	MG RESISTOR	15kΩ,1/16W
R1628		NRSA63J-0R0X	MG RESISTOR	0Ω,1/16W	R3901	NRSA63J-100X	MG RESISTOR	10Ω,1/16W
R1629		NRSA63J-0R0X	MG RESISTOR	0Ω,1/16W	R3902	NRSA63J-101X	MG RESISTOR	100Ω,1/16W
R1630		NRSA63J-0R0X	MG RESISTOR	0Ω,1/16W	R3903	NRSA63J-182X	MG RESISTOR	1.8kΩ,1/16W
R1631		NRSA63J-122X	MG RESISTOR	1.2kΩ,1/16W	R4001	NRSA63J-113X	MG RESISTOR	11kΩ,1/16W
R1632		NRSA63J-153X	MG RESISTOR	15kΩ,1/16W	R4002	NRSA63J-123X	MG RESISTOR	12kΩ,1/16W
R1633		NRSA63J-683X	MG RESISTOR	68kΩ,1/16W	R4003	NRSA63J-153X	MG RESISTOR	15kΩ,1/16W
R2001		NRSA63J-104X	MG RESISTOR	100kΩ,1/16W	R4004	NRSA63J-103X	MG RESISTOR	10kΩ,1/16W
R2002		NRSA63J-332X	MG RESISTOR	3.3kΩ,1/16W	R4006	NRVA63D-103X	CMF RESISTOR	10kΩ,1/16W
R2003		NRSA63J-102X	MG RESISTOR	1kΩ,1/16W	R4007	NRVA63D-432X	CMF RESISTOR	4.3kΩ,1/16W
R2004		NRSA63J-681X	MG RESISTOR	680Ω,1/16W	R4008	NRVA63D-272X	CMF RESISTOR	2.7kΩ,1/16W
R2005		NRSA63J-272X	MG RESISTOR	2.7kΩ,1/16W	R4009	NRVA63D-152X	CMF RESISTOR	1.5kΩ,1/16W
R2006		NRSA63J-102X	MG RESISTOR	1kΩ,1/16W	R4010	NRVA63D-122X	CMF RESISTOR	1.2kΩ,1/16W
R2011		NRSA63J-101X	MG RESISTOR	100Ω,1/16W	R4011	NRVA63D-152X	CMF RESISTOR	1.5kΩ,1/16W
R2012		NRSA63J-101X	MG RESISTOR	100Ω,1/16W	R4012	NRVA63D-122X	CMF RESISTOR	1.2kΩ,1/16W
R2021		NRSA63J-103X	MG RESISTOR	10kΩ,1/16W	R4013	NRVA63D-152X	CMF RESISTOR	1.5kΩ,1/16W
R2022		NRSA63J-334X	MG RESISTOR	330kΩ,1/16W	R4014	NRVA63D-122X	CMF RESISTOR	1.2kΩ,1/16W
R2023		NRSA63J-151X	MG RESISTOR	150Ω,1/16W	R4035	NRSA63J-0R0X	MG RESISTOR	0Ω,1/16W
R2024		NRVA63D-133X	CMF RESISTOR	13kΩ,1/16W	R4037	NRSA63J-102X	MG RESISTOR	1kΩ,1/16W
R2025		NRSA63J-823X	MG RESISTOR	82kΩ,1/16W	R4038	NRSA63J-101X	MG RESISTOR,C,F	100Ω,1/16W
R2026		NRSA63J-0R0X	MG RESISTOR	0Ω,1/16W	R4201	NRSA63J-103X	MG RESISTOR	10kΩ,1/16W
R2027		NRSA63J-102X	MG RESISTOR	1kΩ,1/16W	R4202	NRSA63J-563X	MG RESISTOR	56kΩ,1/16W
R2028		NRSA63J-102X	MG RESISTOR	1kΩ,1/16W	R4203	NRSA63J-103X	MG RESISTOR	10kΩ,1/16W
R2029		NRSA63J-0R0X	MG RESISTOR	0Ω,1/16W	R4204	NRSA63J-331X	MG RESISTOR	330Ω,1/16W
R2030		NRSA63J-104X	MG RESISTOR	100kΩ,1/16W	R4205	NRSA63J-105X	MG RESISTOR	1MΩ,1/16W
R2031		NRSA63J-332X	MG RESISTOR	3.3kΩ,1/16W	R4206	NRSA63J-103X	MG RESISTOR	10kΩ,1/16W
R2032		NRSA63J-270X	MG RESISTOR	27Ω,1/16W	R4207	NRSA63J-104X	MG RESISTOR	100kΩ,1/16W
R2051		NRSA63J-102X	MG RESISTOR	1kΩ,1/16W	R4208	NRSA63J-472X	MG RESISTOR	4.7kΩ,1/16W
R2071		NRSA63J-473X	MG RESISTOR	47kΩ,1/16W	R4209	NRSA63J-104X	MG RESISTOR	100kΩ,1/16W
R2072		NRSA63J-562X	MG RESISTOR	5.6kΩ,1/16W	R4210	NRSA63J-105X	MG RESISTOR	1MΩ,1/16W
R2401		NRSA63J-683X	MG RESISTOR	68kΩ,1/16W	R4211	NRSA63J-243X	MG RESISTOR	24kΩ,1/16W
R2402		NRSA63J-122X	MG RESISTOR	1.2kΩ,1/16W	R4214	NRSA63J-472X	MG RESISTOR	4.7kΩ,1/16W
R2403		NRSA63J-2R2X	MG RESISTOR	2.2Ω,1/16W	R4215	NRSA63J-683X	MG RESISTOR	68kΩ,1/16W
R2404		NRSA63J-2R2X	MG RESISTOR	2.2Ω,1/16W	R4216	NRSA63J-103X	MG RESISTOR	10kΩ,1/16W
R2405		NRSA63J-473X	MG RESISTOR	47kΩ,1/16W	R4217	NRSA63J-102X	MG RESISTOR	1kΩ,1/16W
R2406		NRSA63J-473X	MG RESISTOR	47kΩ,1/16W	R4218	NRSA63J-102X	MG RESISTOR	1kΩ,1/16W
R3001		NRSA63J-105X	MG RESISTOR	1MΩ,1/16W	R4219	NRSA63J-104X	MG RESISTOR	100kΩ,1/16W
R3002		NRVA63D-471X	CMF RESISTOR	470Ω,1/16W	R4220	NRSA63J-152X	MG RESISTOR	1.5kΩ,1/16W
R3004		NRVA63D-273X	CMF RESISTOR	27kΩ,1/16W	R4221	NRSA63J-334X	MG RESISTOR	330kΩ,1/16W
R3006		NRVA63D-561X	CMF RESISTOR	560Ω,1/16W	R4222	NRSA63J-154X	MG RESISTOR	150kΩ,1/16W
R3007		NRVA63D-153X	CMF RESISTOR	15kΩ,1/16W	R4223	NRSA63J-333X	MG RESISTOR	33kΩ,1/16W
R3008		NRSA63J-393X	MG RESISTOR	39kΩ,1/16W	R4224	NRSA63J-223X	MG RESISTOR	22kΩ,1/16W
R3009		NRSA63J-272X	MG RESISTOR	2.7kΩ,1/16W	R4251	NRSA63J-182X	MG RESISTOR	1.8kΩ,1/16W
R3010		NRSA63J-332X	MG RESISTOR	3.3kΩ,1/16W	R4252	NRSA63J-103X	MG RESISTOR	10kΩ,1/16W
R3014		NRSA63J-681X	MG RESISTOR	680Ω,1/16W	R4253	NRSA63J-103X	MG RESISTOR	10kΩ,1/16W
R3015		NRSA63J-332X	MG RESISTOR	3.3kΩ,1/16W	R4254	NRSA63J-684X	MG RESISTOR	680kΩ,1/16W
R3016		NRSA63J-332X	MG RESISTOR	3.3kΩ,1/16W	R4255	NRSA63J-222X	MG RESISTOR	2.2kΩ,1/16W
R3018		NRSA63J-271X	MG RESISTOR	270Ω,1/16W	R4256	NRSA63J-824X	MG RESISTOR	820kΩ,1/16W
R3023		NRSA63J-331X	MG RESISTOR	330Ω,1/16W	R4257	NRSA63J-822X	MG RESISTOR	8.2kΩ,1/16W
R3027		NRSA63J-103X	MG RESISTOR,C,D,E,F	10kΩ,1/16W	R4258	NRSA63J-104X	MG RESISTOR	100kΩ,1/16W
R3028		NRVA63D-472X	CMF RESISTOR	4.7kΩ,1/16W	R4259	NRSA63J-683X	MG RESISTOR	68kΩ,1/16W
R3029		NRSA63J-0R0X	MG RESISTOR	0Ω,1/16W	R4262	NRSA63J-302X	MG RESISTOR	3kΩ,1/16W
R3030		NRSA63J-561X	MG RESISTOR	560Ω,1/16W	△ R4501	NRSA63J-6R8X	MG RESISTOR	6.8Ω,1/16W
R3034		NRSA63J-220X	MG RESISTOR	22Ω,1/16W	△ R4502	NRSA63J-6R8X	MG RESISTOR	6.8Ω,1/16W
R3038		NRSA63J-392X	MG RESISTOR	3.9kΩ,1/16W	△ R4503	NRSA63J-6R8X	MG RESISTOR	6.8Ω,1/16W
R3501		NRSA63J-0R0X	MG RESISTOR	0Ω,1/16W	△ R4504	NRSA63J-6R8X	MG RESISTOR	6.8Ω,1/16W
R3502		NRSA63J-102X	MG RESISTOR	1kΩ,1/16W	R4505	NRSA63J-271X	MG RESISTOR	270Ω,1/16W
R3504		NRSA63J-102X	MG RESISTOR	1kΩ,1/16W	R4507	NRSA63J-103X	MG RESISTOR	10kΩ,1/16W
R3505		NRSA63J-102X	MG RESISTOR	1kΩ,1/16W	R4508	NRSA63J-103X	MG RESISTOR	10kΩ,1/16W

# ▲ REF No.	PART No.	PART NAME, DESCRIPTION		# ▲ REF No.	PART No.	PART NAME, DESCRIPTION	
R4514	NRSA63J-223X	MG RESISTOR	22kΩ, 1/16W	R6015	NRSA63J-104X	MG RESISTOR	100kΩ, 1/16W
R4515	NRSA63J-182X	MG RESISTOR	1.8kΩ, 1/16W	R6016	NRSA63J-104X	MG RESISTOR	100kΩ, 1/16W
R4701	NRSA63J-0R0X	MG RESISTOR, A,B	0Ω, 1/16W	R6019	NRSA63J-222X	MG RESISTOR	2.2kΩ, 1/16W
R4702	NRSA63J-101X	MG RESISTOR, C,D,E,F	100Ω, 1/16W	R6103	NRVA63D-223X	CMF RESISTOR	22kΩ, 1/16W
	NRSA63J-750X	MG RESISTOR ,A,B	75Ω, 1/16W	R6104	NRVA63D-103X	CMF RESISTOR	10kΩ, 1/16W
R4703	NRVA63D-561X	CMF RESISTOR	560Ω, 1/16W	R6106	NRSA63J-333X	MG RESISTOR	33kΩ, 1/16W
R4704	NRVA63D-272X	CMF RESISTOR	2.7kΩ, 1/16W	R6107	NRSA63J-222X	MG RESISTOR	2.2kΩ, 1/16W
R4705	NRVA63D-472X	CMF RESISTOR	4.7kΩ, 1/16W	R6108	NRVA63D-153X	CMF RESISTOR	15kΩ, 1/16W
R4706	NRSA63J-681X	MG RESISTOR	680Ω, 1/16W	R6109	NRVA63D-103X	CMF RESISTOR	10kΩ, 1/16W
R4707	NRSA63J-122X	MG RESISTOR	1.2kΩ, 1/16W	R6110	NRSA63J-0R0X	MG RESISTOR	0Ω, 1/16W
R4708	NRSA63J-104X	MG RESISTOR	100kΩ, 1/16W	R6203	NRVA63D-103X	CMF RESISTOR	10kΩ, 1/16W
R4709	NRSA63J-332X	MG RESISTOR	3.3kΩ, 1/16W	R6204	NRVA63D-103X	CMF RESISTOR	10kΩ, 1/16W
R4710	NRSA63J-332X	MG RESISTOR	3.3kΩ, 1/16W	R6303	NRVA63D-183X	CMF RESISTOR	18kΩ, 1/16W
R4711	NRSA63J-151X	MG RESISTOR, C,D,E,F	150Ω, 1/16W	R6304	NRVA63D-472X	CMF RESISTOR	4.7kΩ, 1/16W
R4712	NRVA63D-511X	CMF RESISTOR, C,D,E,F	510Ω, 1/16W	R6306	NRS12BK-R47W	MG RESISTOR, C,D,E,F	0.47Ω, 1/2W
R4713	NRSA63J-681X	MG RESISTOR, C,D,E,F	680Ω, 1/16W	R6307	NRSA63J-104X	MG RESISTOR, C,D,E,F	100kΩ, 1/16W
R4714	NRSA63J-122X	MG RESISTOR, C,D,E,F	1.2kΩ, 1/16W	R6309	NRSA63J-103X	MG RESISTOR	10kΩ, 1/16W
R4715	NRSA63J-0R0X	MG RESISTOR, C,D,E,F	0Ω, 1/16W	R6310	NRSA63J-152X	MG RESISTOR	1.5kΩ, 1/16W
R4716	NRVA63D-561X	CMF RESISTOR, C,D,E,F	560Ω, 1/16W	R6311	NRSA63J-473X	MG RESISTOR	47kΩ, 1/16W
R4717	NRVA63D-222X	CMF RESISTOR, C,D,E,F	2.2kΩ, 1/16W	R6403	NRSA63J-473X	MG RESISTOR	47kΩ, 1/16W
R4718	NRSA63J-104X	MG RESISTOR, C,D,E,F	100kΩ, 1/16W	R6404	NRSA63J-302X	MG RESISTOR	3kΩ, 1/16W
R4719	NRSA63J-222X	MG RESISTOR, C,D,E,F	2.2kΩ, 1/16W	R6406	NRSA63J-183X	MG RESISTOR	18kΩ, 1/16W
R4720	NRSA63J-0R0X	MG RESISTOR, A,B	0Ω, 1/16W	R6407	NRSA63J-823X	MG RESISTOR	82kΩ, 1/16W
R4721	NRVA63D-750X	CMF RESISTOR, C,D,E,F	75Ω, 1/16W	R6503	NRSA63J-243X	MG RESISTOR	24kΩ, 1/16W
R4722	NRVA63D-680X	CMF RESISTOR, C,D,E,F	68Ω, 1/16W	R6504	NRSA63J-332X	MG RESISTOR	3.3kΩ, 1/16W
	NRVA63D-750X	CMF RESISTOR, A,B	75Ω, 1/16W	R6506	NRSA63J-223X	MG RESISTOR	22kΩ, 1/16W
R4723	NRVA63D-680X	CMF RESISTOR, C,D,E,F	68Ω, 1/16W	R6507	NRSA63J-823X	MG RESISTOR	82kΩ, 1/16W
R4735	NRSA63J-332X	MG RESISTOR, C,D,E,F	3.3kΩ, 1/16W	R6603	NRVA63D-683X	CMF RESISTOR	68kΩ, 1/16W
R4736	NRSA63J-332X	MG RESISTOR, C,D,E,F	3.3kΩ, 1/16W	R6604	NRVA63D-392X	CMF RESISTOR	3.9kΩ, 1/16W
R4737	NRSA63J-104X	MG RESISTOR, C,D,E,F	100kΩ, 1/16W	R6605	NRSA63J-274X	MG RESISTOR	270kΩ, 1/16W
R4738	NRSA63J-332X	MG RESISTOR, C,D,E,F	3.3kΩ, 1/16W	R6606	NRSA63J-272X	MG RESISTOR	2.7kΩ, 1/16W
R4739	NRSA63J-332X	MG RESISTOR, C,D,E,F	3.3kΩ, 1/16W	R6612	NRSA63J-823X	MG RESISTOR	82kΩ, 1/16W
R4741	NRVA63D-152X	CMF RESISTOR, C,D,E,F	1.5kΩ, 1/16W	R6613	NRSA63J-104X	MG RESISTOR	100kΩ, 1/16W
R4743	NRVA63D-223X	CMF RESISTOR, C,D,E,F	22kΩ, 1/16W	R6614	NRSA63J-472X	MG RESISTOR	4.7kΩ, 1/16W
R4744	NRVA63D-222X	CMF RESISTOR, C,D,E,F	2.2kΩ, 1/16W	R6616	NRSA63J-102X	MG RESISTOR	1kΩ, 1/16W
R4745	NRSA63J-471X	MG RESISTOR, C,D,E,F	470Ω, 1/16W	R6622	NRVA63D-104X	CMF RESISTOR	100kΩ, 1/16W
R4746	NRVA63D-222X	CMF RESISTOR, C,D,E,F	2.2kΩ, 1/16W	R6623	NRVA63D-473X	CMF RESISTOR	47kΩ, 1/16W
R4747	NRVA63D-471X	CMF RESISTOR, C,D,E,F	470Ω, 1/16W	R6624	NRSA63J-273X	MG RESISTOR	27kΩ, 1/16W
R4748	NRVA63D-183X	CMF RESISTOR	18Ω, 1/16W	R6625	NRSA63J-822X	MG RESISTOR	8.2kΩ, 1/16W
R5201	NRSA63J-243X	MG RESISTOR	24kΩ, 1/16W	R6626	NRVA63D-563X	CMF RESISTOR	56kΩ, 1/16W
R5202	NRSA63J-220X	MG RESISTOR	22Ω, 1/16W	R6627	NRVA63D-363X	CMF RESISTOR	36kΩ, 1/16W
R5204	NRSA63J-0R0X	MG RESISTOR	0Ω, 1/16W	R6701	NRSA63J-680X	MG RESISTOR	68Ω, 1/16W
R5212	NRSA63J-101X	MG RESISTOR	100Ω, 1/16W	R6702	NRSA63J-221X	MG RESISTOR	220Ω, 1/16W
R5213	NRSA63J-101X	MG RESISTOR	100Ω, 1/16W	R6704	NRVA63D-472X	CMF RESISTOR	4.7kΩ, 1/16W
R5214	NRSA63J-101X	MG RESISTOR	100Ω, 1/16W	R6706	NRZ0058-R20X	MG RESISTOR	0.2Ω, 1/2W
R5215	NRSA63J-104X	MG RESISTOR	100kΩ, 1/16W	R6707	NRS016J-121X	MG RESISTOR	120Ω, 1W
R5216	NRSA63J-100X	MG RESISTOR	10Ω, 1/16W	R6708	NRS016J-121X	MG RESISTOR	120Ω, 1W
R5217	NRSA63J-104X	MG RESISTOR, C,D,E,F	100kΩ, 1/16W	R6709	NRS016J-121X	MG RESISTOR	120Ω, 1W
R5218	NRSA63J-0R0X	MG RESISTOR	0Ω, 1/16W	R6710	NRVA63D-823X	CMF RESISTOR	82kΩ, 1/16W
R5220	NRSA63J-0R0X	MG RESISTOR	0Ω, 1/16W	R6711	NRVA63D-333X	CMF RESISTOR	33kΩ, 1/16W
R6001	NRSA63J-104X	MG RESISTOR	100kΩ, 1/16W	R6712	NRSA63J-222X	MG RESISTOR	2.2kΩ, 1/16W
R6002	NRSA63J-333X	MG RESISTOR	33kΩ, 1/16W	R6713	NRSA63J-562X	MG RESISTOR	5.6kΩ, 1/16W
R6003	NRVA63D-912X	CMF RESISTOR	9.1kΩ, 1/16W	R6801	NRSA63J-102X	MG RESISTOR	1kΩ, 1/16W
R6004	NRVA63D-471X	CMF RESISTOR	470Ω, 1/16W	R6803	NRVA63D-223X	CMF RESISTOR	22kΩ, 1/16W
R6005	NRVA63D-183X	CMF RESISTOR	18kΩ, 1/16W	R6804	NRVA63D-103X	CMF RESISTOR	10kΩ, 1/16W
R6006	NRSA63J-472X	MG RESISTOR	4.7kΩ, 1/16W	R6810	NRSA63J-0R0X	MG RESISTOR	0Ω, 1/16W
R6008	NRVA63D-183X	CMF RESISTOR	18kΩ, 1/16W	R6811	NRSA63J-102X	MG RESISTOR	1kΩ, 1/16W
R6009	NRSA63J-224X	MG RESISTOR	220kΩ, 1/16W	R6813	NRVA63D-104X	CMF RESISTOR	100kΩ, 1/16W
R6010	NRSA63J-473X	MG RESISTOR	47kΩ, 1/16W	R6814	NRVA63D-683X	CMF RESISTOR	68kΩ, 1/16W
R6011	NRSA63J-473X	MG RESISTOR	47kΩ, 1/16W	R6820	NRSA63J-102X	MG RESISTOR	1kΩ, 1/16W
R6012	NRSA63J-103X	MG RESISTOR	10kΩ, 1/16W	R7010	NRSA63J-0R0X	MG RESISTOR	0Ω, 1/16W

#	△ REF No.	PART No.	PART NAME, DESCRIPTION		#	△ REF No.	PART No.	PART NAME, DESCRIPTION	
R7021		NRSA63J-0R0X	MG RESISTOR,D,E	0Ω,1/16W	RA4002		NRZ0034-100W	NET RESISTOR,C,F	10Ω
R7029		NRSA63J-0R0X	MG RESISTOR,D,E	0Ω,1/16W	RA4003		NRZ0034-100W	NET RESISTOR,C,F	10Ω
R7031		NRSA63J-474X	MG RESISTOR	470kΩ,1/16W	C102		NCF31EZ-104X	CAPACITOR	0.1μF,25V
R7032		NRSA63J-223X	MG RESISTOR	22kΩ,1/16W	C103		NBE41AM-106X	T CAPACITOR	10μF,10V
R7033		NRSA63J-104X	MG RESISTOR	100kΩ,1/16W	C104		NCB31EK-103X	CAPACITOR	0.01μF,25V
R7035		NRSA63J-103X	MG RESISTOR	10kΩ,1/16W	C105		NCB31CK-104X	CAPACITOR	0.1μF,16V
R7040		NRVA63D-333X	CMF RESISTOR	33kΩ,1/16W	C106		NCF31EZ-104X	CAPACITOR	0.1μF,25V
R7042		NRVA63D-123X	CMF RESISTOR	12kΩ,1/16W	C107		NCB31EK-103X	CAPACITOR	0.01μF,25V
R7043		NRVA63D-123X	CMF RESISTOR	12kΩ,1/16W	C108		NBE21AM-225X	T CAPACITOR	2.2μF,10V
R7044		NRVA63D-432X	CMF RESISTOR,D,E	4.3kΩ,1/16W	C109		NBE41AM-106X	T CAPACITOR	10μF,10V
		NRVA63D-752X	CMF RESISTOR,A,B,C,F	7.5kΩ,1/16W	C110		NDC31HJ-101X	CAPACITOR	100pF,50V
R7045		NRVA63D-103X	CMF RESISTOR	10kΩ,1/16W	C111		NEA70JM-226X	E CAPACITOR	22μF,6.3V
R7046		NRSA63J-103X	MG RESISTOR,A,B,C,F	10kΩ,1/16W	C112		NEA70JM-226X	E CAPACITOR	22μF,6.3V
R7049		NRSA63J-680X	MG RESISTOR	68Ω,1/16W	C113		NCB31EK-103X	CAPACITOR	0.01μF,25V
R7050		NRSA63J-680X	MG RESISTOR	68Ω,1/16W	C114		NCB31EK-103X	CAPACITOR	0.01μF,25V
R7051		NRSA63J-680X	MG RESISTOR	68Ω,1/16W	C115		NCF31EZ-104X	CAPACITOR	0.1μF,25V
R7058		NRSA63J-0R0X	MG RESISTOR	0Ω,1/16W	C116		NCB31EK-103X	CAPACITOR	0.01μF,25V
R7067		NRSA63J-223X	MG RESISTOR,A,B,C,F	22kΩ,1/16W	C118		NCF31EZ-104X	CAPACITOR	0.1μF,25V
		NRSA63J-682X	MG RESISTOR,D,E	6.8kΩ,1/16W	C119		NCB31EK-103X	CAPACITOR	0.01μF,25V
R7068		NRSA63J-223X	MG RESISTOR	22kΩ,1/16W	C120		NCB31EK-103X	CAPACITOR	0.01μF,25V
R7069		NRSA63J-223X	MG RESISTOR	22kΩ,1/16W	C121		NCF31EZ-104X	CAPACITOR	0.1μF,25V
R7070		NRSA63J-223X	MG RESISTOR	22kΩ,1/16W	C122		NCF31EZ-104X	CAPACITOR	0.1μF,25V
R7071		NRSA63J-223X	MG RESISTOR	22kΩ,1/16W	C123		NDC31HJ-100X	CAPACITOR	10pF,50V
R7072		NRSA02J-122X	MG RESISTOR,D,E	1.2kΩ,1/10W	C124		NDC31HJ-100X	CAPACITOR	10pF,50V
		NRSA02J-182X	MG RESISTOR,A,B,C,F	1.8kΩ,1/10W	C125		NCB31EK-103X	CAPACITOR	0.01μF,25V
R7073		NRSA02J-331X	MG RESISTOR,A,B,C,F	330Ω,1/10W	C126		NDC31HJ-120X	CAPACITOR	12pF,50V
		NRSA02J-821X	MG RESISTOR,D,E	820Ω,1/10W	C127		NCB31CK-333X	CAPACITOR	0.033μF,16V
R7074		NRSA63J-103X	MG RESISTOR	10kΩ,1/16W	C128		NCB21CK-474X	CAPACITOR	0.47μF,16V
R7077		NRVA63D-682X	CMF RESISTOR	6.8kΩ,1/16W	C129		NCB31CK-333X	CAPACITOR	0.033μF,16V
R7083		NRSA63J-105X	MG RESISTOR	1MΩ,1/16W	C131		NCF31EZ-104X	CAPACITOR	0.1μF,25V
R7086		NRVA63D-123X	CMF RESISTOR	12kΩ,1/16W	C132		NCF31EZ-104X	CAPACITOR	0.1μF,25V
R7091		NRVA63D-123X	CMF RESISTOR	12kΩ,1/16W	C133		NCF31EZ-104X	CAPACITOR	0.1μF,25V
R7093		NRVA63D-223X	CMF RESISTOR	22kΩ,1/16W	C134		NCF31EZ-104X	CAPACITOR	0.1μF,25V
R7096		NRVA63D-123X	CMF RESISTOR	12kΩ,1/16W	C1201		NCB31HK-102X	CAPACITOR	0.001μF,50V
R7110		NRSA63J-105X	MG RESISTOR	1MΩ,1/16W	C1202		NBE20JM-106X	T CAPACITOR	10μF,6.3V
R7112		NRVA63D-332X	CMF RESISTOR	3.3kΩ,1/16W	C1205		NCB31EK-153X	CAPACITOR	0.015μF,25V
R7114		NRVA63D-223X	CMF RESISTOR	22kΩ,1/16W	C1206		NBE20JM-106X	T CAPACITOR	10μF,6.3V
R7116		NRVA63D-332X	CMF RESISTOR	3.3kΩ,1/16W	C1601		NCB31EK-103X	CAPACITOR	0.01μF,25V
R7118		NRVA63D-223X	CMF RESISTOR	22kΩ,1/16W	C1602		NCB21CK-224X	CAPACITOR	0.22μF,16V
R7120		NRVA63D-332X	CMF RESISTOR	3.3kΩ,1/16W	C1603		NCB31CK-223X	CAPACITOR	0.022μF,16V
R7122		NRVA63D-223X	CMF RESISTOR	22kΩ,1/16W	C1604		NCB31CK-223X	CAPACITOR	0.022μF,16V
R7124		NRVA63D-103X	CMF RESISTOR	10kΩ,1/16W	C1605		NCB31CK-223X	CAPACITOR	0.022μF,16V
R7127		NRVA63D-103X	CMF RESISTOR	10kΩ,1/16W	C1606		NCB31CK-104X	CAPACITOR	0.1μF,16V
R7128		NRVA63D-103X	CMF RESISTOR	10kΩ,1/16W	C1607		NCB31CK-104X	CAPACITOR	0.1μF,16V
R7129		NRVA63D-103X	CMF RESISTOR	10kΩ,1/16W	C1608		NCB31CK-683X	CAPACITOR	0.068μF,16V
R7130		NRVA63D-103X	CMF RESISTOR	10kΩ,1/16W	C1609		NCB31CK-104X	CAPACITOR	0.1μF,16V
R7131		NRVA63D-103X	CMF RESISTOR	10kΩ,1/16W	C1610		NCB31CK-104X	CAPACITOR	0.1μF,16V
R7132		NRVA63D-103X	CMF RESISTOR	10kΩ,1/16W	C1611		NCB31CK-104X	CAPACITOR	0.1μF,16V
R7139		NRVA63D-911X	CMF RESISTOR	910Ω,1/16W	C1612		NDC31HJ-331X	CAPACITOR	330pF,50V
R7142		NRSA63J-0R0X	MG RESISTOR,D,E	0Ω,1/16W	C1613		NCB21CK-334X	CAPACITOR	0.33μF,16V
R7143		NRSA63J-0R0X	MG RESISTOR,A,B,C,F	0Ω,1/16W	C1614		NBE41AM-226X	T CAPACITOR	22μF,10V
RA101		NRZ0038-222X	NET RESISTOR	2.2kΩ	C1615		NCB31HK-681X	CAPACITOR	680pF,50V
RA102		NRZ0038-222X	NET RESISTOR	2.2kΩ	C1616		NCB21CK-474X	CAPACITOR	0.47μF,16V
RA103		NRZ0038-222X	NET RESISTOR	2.2kΩ	C1617		NCB31HK-152X	CAPACITOR	0.0015μF,50V
RA104		NRZ0038-222X	NET RESISTOR	2.2kΩ	C1618		NBE21AM-106X	T CAPACITOR	10μF,10V
RA105		NRZ0038-473X	NET RESISTOR	47kΩ	C1619		NCB31CK-223X	CAPACITOR	0.022μF,16V
RA106		NRZ0037-331X	NET RESISTOR	330Ω	C1620		NCB31HK-222X	CAPACITOR	0.0022μF,16V
RA107		NRZ0034-102W	NET RESISTOR	1kΩ	C1621		NBP41CM-106X	T CAPACITOR	10μF,16V
RA108		NRZ0034-102W	NET RESISTOR	1kΩ	C2001		NBE20JM-106X	T CAPACITOR	10μF,6.3V
RA109		NRZ0038-474X	NET RESISTOR	47kΩ	C2002		NFV41HJ-183X	MPPS CAPACITOR	0.018μF,50V
RA4001		NRZ0034-100W	NET RESISTOR,C,F	10Ω	C2003		NDC31HJ-331X	CAPACITOR	330pF,50V

#	△ REF No.	PART No.	PART NAME, DESCRIPTION	#	△ REF No.	PART No.	PART NAME, DESCRIPTION
C2004		NBE20JM-226X	T CAPACITOR 22μF,6.3V	C4012		NCF31EZ-104X	CAPACITOR 0.1μF,25V
C2005		NCB21CK-105X	CAPACITOR 1μF,16V	C4014		NCF31EZ-104X	CAPACITOR 0.1μF,25V
C2021		NCB31EK-682X	CAPACITOR 0.0068μF,25V	C4017		NCF31EZ-104X	CAPACITOR 0.1μF,25V
C2022		NBE20JM-106X	T CAPACITOR 10μF,6.3V	C4019		NCF31EZ-104X	CAPACITOR 0.1μF,25V
C2023		NBP21CM-105X	T CAPACITOR 1μF,16V	C4022		NCF31EZ-104X	CAPACITOR 0.1μF,25V
C2024		NCB31HK-122X	CAPACITOR 0.0012μF,50V	C4024		NCF31EZ-104X	CAPACITOR 0.1μF,25V
C2025		NCB30JK-105X	CAPACITOR 1μF,6.3V	C4028		NCF31EZ-104X	CAPACITOR 0.1μF,25V
C2026		NCB31HK-222X	CAPACITOR 0.0022μF,50V	C4029		NCF31EZ-104X	CAPACITOR 0.1μF,25V
C2027		NCB30JK-474X	CAPACITOR 0.47μF,6.3V	C4030		NCF31EZ-104X	CAPACITOR 0.1μF,25V
C2028		NCB30JK-105X	CAPACITOR 1μF,6.3V	C4036		NCF31EZ-104X	CAPACITOR 0.1μF,25V
C2029		NCB30JK-105X	CAPACITOR 1μF,6.3V	C4040		NCB21CK-105X	CAPACITOR,D,E,F 1μF,16V
C2031		NCB31CK-104X	CAPACITOR 0.1μF,16V	C4044		NCB21CK-105X	CAPACITOR 1μF,16V
C2032		NCB31HK-472X	CAPACITOR 0.0047μF,50V	C4048		NCB10JK-106X	CAPACITOR 10μF,6.3V
C2033		NBE20JM-475X	T CAPACITOR 4.7μF,6.3V	C4049		NDC31HJ-100X	CAPACITOR 10pF,50V
C2034		NCB31CK-104X	CAPACITOR 0.1μF,16V	C4051		NDC31HJ-221X	CAPACITOR 220pF,50V
C2035		NBE20JM-226X	T CAPACITOR 22μF,6.3V	C4201		NEA71HM-225X	E CAPACITOR 2.2μF,50V
C2036		NBE20JM-106X	T CAPACITOR 10μF,6.3V	C4202		NCF31EZ-104X	CAPACITOR 0.1μF,25V
C2037		NBE20JM-226X	T CAPACITOR 22μF,6.3V	C4203		NCB31CK-104X	CAPACITOR 0.1μF,16V
C2038		NCB30JK-474X	CAPACITOR 0.47μF,6.3V	C4205		NCB31EK-103X	CAPACITOR 0.01μF,25V
C2051		NCB31EK-103X	CAPACITOR 0.01μF,25V	C4206		NCB31CK-104X	CAPACITOR 0.1μF,16V
C2071		NBE20JM-106X	T CAPACITOR 10μF,6.3V	C4207		NCB31EK-103X	CAPACITOR 0.01μF,25V
C2072		NCB31HK-222X	CAPACITOR 0.0022μF,50V	C4208		NCB31CK-104X	CAPACITOR 0.1μF,16V
C2401		NEA70GM-476X	E CAPACITOR 47μF,4.0V	C4209		NCF21CZ-105X	CAPACITOR 1μF,16V
C2402		NBE20JM-106X	T CAPACITOR 10μF,6.3V	C4210		NCF21CZ-105X	CAPACITOR 1μF,16V
C2403		NCB31EK-103X	CAPACITOR 0.01μF,25V	C4251		NEA71HM-335X	E CAPACITOR 3.3μF,50V
C2404		NCF31CZ-224X	CAPACITOR 0.22μF,16V	C4252		NCB31CK-104X	CAPACITOR 0.1μF,16V
C2405		NCB31CK-104X	CAPACITOR 0.1μF,16V	C4253		NCB31EK-153X	CAPACITOR 0.015μF,25V
C2406		NCF31EZ-104X	CAPACITOR 0.1μF,25V	C4254		NCB31EK-153X	CAPACITOR 0.015μF,25V
C3002		NCB21CK-105X	CAPACITOR 1μF,16V	C4256		NEA71CM-106X	E CAPACITOR 10μF,16V
C3003		NCB21CK-105X	CAPACITOR 1μF,16V	C4503		NEA70JM-107X	E CAPACITOR 100μF,6.3V
C3004		NCF31EZ-104X	CAPACITOR 0.1μF,25V	C4504		NCF31EZ-104X	CAPACITOR 0.1μF,25V
C3005		NCF31EZ-104X	CAPACITOR 0.1μF,25V	C4505		NDC31HJ-330X	CAPACITOR 33pF,50V
C3006		NDC31HG-100X	CAPACITOR 10pF,50V	C4506		NCB31HK-102X	CAPACITOR 0.001μF,50V
C3007		NDC31HG-100X	CAPACITOR 10pF,50V	C4507		NCB31HK-102X	CAPACITOR 0.001μF,50V
C3009		NCF31EZ-104X	CAPACITOR 0.1μF,25V	C4508		NCB31HK-102X	CAPACITOR 0.001μF,50V
C3011		NCF31EZ-104X	CAPACITOR 0.1μF,25V	C4509		NCB31HK-102X	CAPACITOR 0.001μF,50V
C3012		NCF31EZ-104X	CAPACITOR 0.1μF,25V	C4510		NCB31CK-104X	CAPACITOR 0.1μF,16V
C3013		NCF31EZ-104X	CAPACITOR 0.1μF,25V	C4511		NCF31EZ-104X	CAPACITOR 0.1μF,25V
C3014		NCF31EZ-104X	CAPACITOR 0.1μF,25V	C4701		NBE20JM-106X	T CAPACITOR 10μF,6.3V
C3015		NCF31EZ-104X	CAPACITOR 0.1μF,25V	C4702		NCF31EZ-104X	CAPACITOR 0.1μF,25V
C3017		NCF31EZ-104X	CAPACITOR 0.1μF,25V	C4703		NBE20JM-106X	T CAPACITOR 10μF,6.3V
C3019		NCB31EK-103X	CAPACITOR 0.01μF,25V	C4704		NCB21CK-105X	CAPACITOR 1μF,16V
C3020		NCB31EK-103X	CAPACITOR 0.01μF,25V	C4705		NDC31HJ-820X	CAPACITOR 82pF,50V
C3027		NCB31EK-103X	CAPACITOR 0.01μF,25V	C4706		NDC31HJ-150X	CAPACITOR 15pF,50V
C3028		NCB31EK-103X	CAPACITOR 0.01μF,25V	C4707		NCB21CK-105X	CAPACITOR 1μF,16V
C3033		NCB31CK-104X	CAPACITOR,C,D,E,F 0.1μF,16V	C4708		NDC31HJ-820X	CAPACITOR,C,D,E,F 82pF,50V
C3037		NDC31HJ-100X	CAPACITOR 10pF,50V	C4709		NDC31HJ-150X	CAPACITOR,C,D,E,F 15pF,50V
C3506		NCB31EK-103X	CAPACITOR 0.01μF,25V	C4710		NCB31EK-103X	CAPACITOR,C,D,E,F 0.01μF,25V
C3507		NCB31EK-103X	CAPACITOR 0.01μF,25V	C4711		NCB21CK-105X	CAPACITOR,C,D,E,F 1μF,16V
C3508		NCB31EK-103X	CAPACITOR 0.01μF,25V	C4715		NCB21CK-105X	CAPACITOR,C,D,E,F 1μF,16V
C3510		NCB31CK-104X	CAPACITOR 0.1μF,16V	C4719		NCB31EK-103X	CAPACITOR,C,D,E,F 0.01μF,25V
C3512		NCB10JK-106X	CAPACITOR 10μF,6.3V	C5203		NCB10JK-106X	CAPACITOR 10μF,6.3V
C3513		NCB31CK-223X	CAPACITOR 0.022μF,16V	C5207		NCB31EK-103X	CAPACITOR 0.01μF,25V
C3514		NCB21CK-105X	CAPACITOR 1μF,16V	C5208		NCB31EK-103X	CAPACITOR 0.01μF,25V
C3515		NCB31EK-103X	CAPACITOR 0.01μF,25V	C5209		NCB31EK-103X	CAPACITOR 0.01μF,25V
C3902		NCB31EK-103X	CAPACITOR 0.01μF,25V	C5210		NCF31EZ-104X	CAPACITOR 0.1μF,25V
C3903		NDC31HJ-3R0X	CAPACITOR 3pF,50V	C5211		NCB21CK-105X	CAPACITOR 1μF,16V
C4006		NCF31EZ-104X	CAPACITOR 0.1μF,25V	C5212		NCB21CK-105X	CAPACITOR 1μF,16V
C4008		NCF31EZ-104X	CAPACITOR 0.1μF,25V	C5213		NCB31HK-332X	CAPACITOR 0.0033μF,50V
C4009		NCF31EZ-104X	CAPACITOR 0.1μF,25V	C5214		NCB31EK-103X	CAPACITOR 0.01μF,25V
C4010		NCF31EZ-104X	CAPACITOR 0.1μF,25V	C5218		NCF31EZ-104X	CAPACITOR 0.1μF,25V

#	△ REF No.	PART No.	PART NAME, DESCRIPTION		#	△ REF No.	PART No.	PART NAME, DESCRIPTION	
C5219		NBP21CM-685X	T CAPACITOR	6.8μF,16V	C6605		NDC31HJ-331X	CAPACITOR	330pF,50V
C5221		NCB11EK-105X	CAPACITOR	1μF,25V	C6606		NCF21CZ-105X	CAPACITOR	1μF,16V
C5222		NCB31CK-104X	CAPACITOR	0.1μF,16V	C6607		NCB11EK-105X	CAPACITOR	1μF,25V
C5223		NCF31EZ-104X	CAPACITOR	0.1μF,25V	C6610		NCB31EK-103X	CAPACITOR	0.01μF,25V
C5225		NCF31EZ-104X	CAPACITOR	0.1μF,25V	C6616		NCB21CK-105X	CAPACITOR	1μF,16V
C5227		NCB31CK-104X	CAPACITOR	0.1μF,16V	C6622		NCB21CK-105X	CAPACITOR	1μF,16V
C5228		NCF31EZ-104X	CAPACITOR	0.1μF,25V	C6700		NCB31HK-272X	CAPACITOR	0.0027μF,50V
C5229		NCB11EK-105X	CAPACITOR,D,E,F	1μF,25V	C6701		NCF21CZ-105X	CAPACITOR	1μF,16V
		NRS181J-0R0X	MG RESISTOR,A,B,C	0Ω,1/8W	C6702		NCB41CK-106X	CAPACITOR	10μF,16V
C5230		NCB21EK-104X	CAPACITOR	0.1μF,25V	C6711		NCB21HK-472X	CAPACITOR	0.0047μF,50V
C5232		NDC31HJ-100X	CAPACITOR	10pF,50V	C6802		NCF21CZ-105X	CAPACITOR	1μF,16V
C5233		NDC31HJ-100X	CAPACITOR	10pF,50V	C6805		NCB31HK-102X	CAPACITOR	0.001μF,50V
C5234		NDC31HJ-100X	CAPACITOR	10pF,50V	C6810		NCB31EK-103X	CAPACITOR	0.01μF,25V
C5235		NDC31HJ-100X	CAPACITOR	10pF,50V	C6812		NCF21CZ-105X	CAPACITOR	1μF,16V
C5236		NDC31HJ-100X	CAPACITOR	10pF,50V	C6820		NCB31HK-102X	CAPACITOR	0.001μF,50V
C5237		NDC31HJ-100X	CAPACITOR	10pF,50V	C7001		NCB31EK-103X	CAPACITOR	0.01μF,25V
C6002		NEA71CM-106X	E CAPACITOR	10μF,16V	C7002		NBE20JM-106X	T CAPACITOR	10μF,6.3V
C6004		NCF21CZ-105X	CAPACITOR	1μF,16V	C7019		NDC31HJ-121X	CAPACITOR	120pF,50V
C6005		NCB21CK-105X	CAPACITOR	1μF,16V	C7020		NDC31HJ-151X	CAPACITOR	150pF,50V
C6006		NCF21CZ-105X	CAPACITOR	1μF,16V	C7021		NBP41EM-475X	T CAPACITOR	4.7μF,25V
C6007		NCB21CK-105X	CAPACITOR	1μF,16V	C7022		NCB31EK-103X	CAPACITOR	0.01μF,25V
C6009		NDC31HJ-820X	CAPACITOR	82pF,50V	C7023		NCB31EK-103X	CAPACITOR	0.01μF,25V
C6010		NCB21CK-105X	CAPACITOR	1μF,16V	C7024		NBP41EM-475X	T CAPACITOR	4.7μF,25V
C6011		NCB21CK-104X	CAPACITOR	0.1μF,16V	C7025		NCB31EK-103X	CAPACITOR	0.01μF,25V
C6012		NCB21CK-224X	CAPACITOR	0.22μF,16V	C7026		NBE20JM-106X	T CAPACITOR	10μF,6.3V
C6013		NCB31EK-473X	CAPACITOR	0.047μF,25V	C7028		NCB31EK-103X	CAPACITOR	0.01μF,25V
C6014		NCB31EK-473X	CAPACITOR	0.047μF,25V	C7029		NCB31CK-104X	CAPACITOR,A,B,C,F	0.1μF,16V
C6015		NCB31EK-473X	CAPACITOR	0.047μF,25V	C7030		NCB31EK-103X	CAPACITOR	0.01μF,25V
C6016		NCB31EK-473X	CAPACITOR	0.047μF,25V	C7031		NDC31HJ-220X	CAPACITOR	22pF,50V
C6017		NCF21CZ-105X	CAPACITOR	1μF,16V	C7032		NCB31CK-104X	CAPACITOR	0.1μF,16V
C6101		NCB21CK-105X	CAPACITOR	1μF,16V	C7033		NCB21CK-334X	CAPACITOR	0.33μF,16V
C6102		NCB10JK-106X	CAPACITOR	10μF,6.3V	C7034		NDC31HJ-331X	CAPACITOR	330pF,50V
C6105		NCB31HK-102X	CAPACITOR	0.001μF,50V	C7035		NDC31HJ-330X	CAPACITOR	33pF,50V
C6106		NCF21CZ-105X	CAPACITOR	1μF,16V	C7036		NCB31CK-104X	CAPACITOR	0.1μF,16V
C6107		NCF21CZ-105X	CAPACITOR	1μF,16V	C7037		NDC31HJ-330X	CAPACITOR	33pF,50V
C6108		NCF21CZ-105X	CAPACITOR	1μF,16V	C7038		NCB31EK-103X	CAPACITOR	0.01μF,25V
C6110		NCB31HK-152X	CAPACITOR	0.0015μF,50V	C7039		NBP41CM-106X	T CAPACITOR	10μF,16V
C6201		NCB21CK-105X	CAPACITOR	1μF,16V	C7042		NCB31EK-103X	CAPACITOR	0.01μF,25V
C6202		NCB10JK-106X	CAPACITOR	10μF,6.3V	C7045		NDC31HJ-100X	CAPACITOR	10pF,50V
C6203		NEA70JM-476X	E CAPACITOR	47μF,6.3V	C7046		NDC31HJ-100X	CAPACITOR	10pF,50V
C6205		NCB31HK-472X	CAPACITOR	0.0047μF,50V	C7047		NDC31HJ-100X	CAPACITOR	10pF,50V
C6210		NCB31EK-103X	CAPACITOR	0.01μF,25V	C7048		NBE20JM-106X	T CAPACITOR	10μF,6.3V
C6301		NCB11CK-225X	CAPACITOR	2.2μF,16V	C7051		NCB31EK-103X	CAPACITOR	0.01μF,25V
C6302		NCB10JK-106X	CAPACITOR	10μF,6.3V	C7052		NBE20JM-106X	T CAPACITOR	10μF,6.3V
C6303		NEA70JM-226X	E CAPACITOR	22μF,6.3V	C7053		NCB31EK-103X	CAPACITOR	0.01μF,25V
C6305		NCB31HK-561X	CAPACITOR	560pF,50V	C7054		NBP41EM-475X	T CAPACITOR	4.7μF,25V
C6306		NCB21CK-105X	CAPACITOR,C,D,E,F	1μF,16V	C7057		NCB31EK-682X	CAPACITOR,A,B,C,F	0.0068μF,25V
C6307		NEA71CM-106X	E CAPACITOR,C,D,E,F	10μF,16V	C7059		NBP41EM-475X	T CAPACITOR	4.7μF,25V
C6308		NBE20JM-106X	T CAPACITOR	10μF,6.3V	C7060		NCB11CK-225X	CAPACITOR	2.2μF,16V
C6310		NCB31HK-102X	CAPACITOR	0.001μF,50V	C7064		NCB11EK-105X	CAPACITOR	1μF,25V
C6401		NCB21CK-105X	CAPACITOR	1μF,16V	C7065		NCB11EK-105X	CAPACITOR	1μF,25V
C6402		NCF21CZ-105X	CAPACITOR	1μF,16V	C7066		NCB11EK-105X	CAPACITOR	1μF,25V
C6406		NCB31CK-683X	CAPACITOR	0.068μF,16V	C7067		NCB31CK-104X	CAPACITOR	0.1μF,16V
C6410		NCB21CK-474X	CAPACITOR	0.47μF,16V	C7069		NCB31EK-103X	CAPACITOR	0.01μF,25V
C6501		NCB21CK-105X	CAPACITOR	1μF,16V	L101		NQL034K-330X	COIL	33μH
C6502		NCF21CZ-105X	CAPACITOR	1μF,16V	L1601		NQL38DK-100X	COIL	10μH
C6506		NCB21CK-224X	CAPACITOR	0.22μF,16V	L1602		NQL144K-100X	COIL	10μH
C6510		NCB31CK-104X	CAPACITOR	0.1μF,16V	L2001		NQL144K-101X	COIL	100μH
C6601		NCB11CK-225X	CAPACITOR	2.2μF,16V	L2003		NQL034K-470X	COIL	47μH
C6602		NCF21CZ-105X	CAPACITOR	1μF,16V	L2021		NQL144K-470X	COIL	47μH
C6603		NCB11CK-475X	CAPACITOR	4.7μF,16V	L2051		NRSA63J-0R0X	MG RESISTOR	0Ω,1/16W

# ▲ REF No.	PART No.	PART NAME, DESCRIPTION		# ▲ REF No.	PART No.	PART NAME, DESCRIPTION	
L2052	NRSA63J-0R0X	MG RESISTOR	0Ω,1/16W	CN25	QGB0506L1-30X	CONNECTOR	
L2071	NRSA63J-0R0X	MG RESISTOR	0Ω,1/16W	CN27	QGA1201C2-02X	CONNECTOR	
L2072	NRSA63J-0R0X	MG RESISTOR	0Ω,1/16W	CN28	QGA1002F1-13X	CONNECTOR	
L2401	NQL144K-470X	COIL	47μH	▲ F6001	NMFZ007-2R0X-K	FUSE	T2.0A
L3002	NQR0006-001X	FERRITE BEAD		▲ F6002	NMFZ010-R50X-A	FUSE	T0.5A
L3003	NQR0129-002X	FERRITE BEAD		SD1	LY42845-001A	SHIELD SHEET,C,F	
L3502	NQL38DK-220X	COIL	22μH	OT1	LY30016-049A	SPACER-A, FOR WR1	
L4005	NQL38DK-220X	COIL	22μH	OT2	LY30029-0B6A	SPACER(A), FOR LI BATTERY	
L4201	NQR0006-001X	FERRITE BEAD					
L4501	NQR0006-001X	FERRITE BEAD					
L4502	NQL034K-220X	COIL	22μH				
L4701	NQL38DK-220X	COIL	22μH				
L5201	NQL38DK-470X	COIL	47μH				
L5202	NQL38DK-220X	COIL	22μH				
L5203	NQL38DK-220X	COIL	22μH				
L6001	NQL52EM-100X	COIL	10μH				
L6002	NQL52EM-100X	COIL	10μH				
L6101	NQL52EM-390X	COIL	39μH				
L6106	NQL144K-101X	COIL	100μH				
L6107	NQL144K-101X	COIL	100μH				
L6201	NQL52EM-470X	COIL	47μH				
L6301	NQL52EM-390X	COIL	39μH				
L6306	NQL52EM-470X	COIL,C,D,E,F	47μH				
L6401	NQL52EM-470X	COIL	47μH				
L6501	NQL52EM-470X	COIL	47μH				
L6601	NQL52EM-221X	COIL	220μH				
L6602	NQL144K-221X	COIL	220μH				
L6606	NQL144K-220X	COIL	22μH				
L6701	NQL52EM-100X	COIL	10μH				
L7001	NQL38DK-220X	COIL	22μH				
L7005	NQL38DK-220X	COIL	22μH				
L7006	NQL38DK-220X	COIL	22μH				
L7007	NQL38DK-220X	COIL	22μH				
L7008	NQL38DK-220X	COIL	22μH				
L7009	NQL38DK-220X	COIL	22μH				
L7010	NQL085J-4R7X	INDUCTOR	4.7μH				
L7012	NQL144K-100X	COIL	10μH				
X101	NAX0251-001X	CRYSTAL RESONATOR					
X102	NAX0325-001X	CRYSTAL RESONATOR					
X3001	QAX0565-001	CRYSTAL RESONATOR					
WR1	WJV0039-001A	E-PRIMARY WIRE,JUMP WIRE					
WR2	WJM0180-001A	E-SI C WIRE C-F,JP4001/JP4002,C,F					
WR3	YU40017-013-1	THIN WIRE,JP2005-SD1,C,F					
▲ J101	QAB0022-001	LI BATTERY					
J504	LY31356-002A	JACK UNIT					
J505	QND0068-001	S JACK,C,D,E,F					
CN1	QGF0507F3-10X	FFC/FPC CONNECTOR					
CN2	QGF0507F3-14X	FFC/FPC CONNECTOR					
CN3	QGF0505F2-18X	FPC CONNECTOR					
CN4	QGA1201F2-02X	CONNECTOR,A,B					
	QGA1201F2-06X	CONNECTOR,C,D,E,F					
CN5	QGF0507F1-11X	FPC CONNECTOR					
CN7	QGF0507F3-11X	FFC/FPC CONNECTOR					
CN8	QGA1201C2-02X	CONNECTOR					
CN12	QGA1201F2-05X	CONNECTOR					
CN13	QGF0507F3-14X	FFC/FPC CONNECTOR					
CN15	QGF0507F1-22X	FPC CONNECTOR					
CN16	QGF0305F1-33X	FPC CONNECTOR					
CN18	QGF0507F3-12X	FFC/FPC CONNECTOR					
CN19	QGF0301F1-39X	FPC CONNECTOR,C,F					
CN22	QGF0507F3-14X	FFC/FPC CONNECTOR					